

The Part Number:

## MCGPG07C



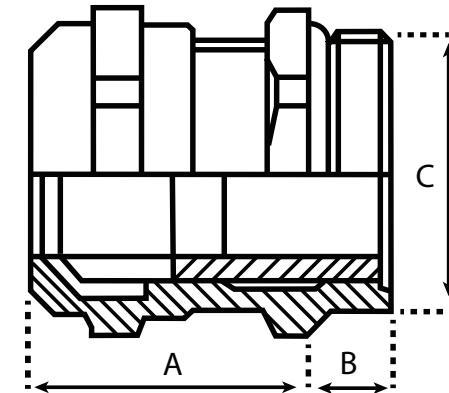
**PRODUCT NAME:** Plastic Cable Glands

**MATERIAL:** Nickel Plated Brass

- FEATURES:**
- Ratchet type lock nut ensures a firm grip on the cable
  - Nylon locknut included
  - Tight Buna seal makes it resistant to most liquids
  - Nickel plated brass makes it corrosion resistant and durable
  - Long PG threads provide allow for easy locknut assembly

- APPLICATIONS:**
- Attach and secure cables to control boxes, distribution panels, electrical appliances, machines, etc.
  - Sealing cables passing through bulkheads or gland plates
  - May be used on all types of electrical power, control, instrumental data and telecommunication cables.

**Dimensions:**



| Technical Data          |                                |
|-------------------------|--------------------------------|
| Environment Temperature | -40°F (-40°C) to 239°F (115°C) |
| IP Rating               | 68 (Waterproof)                |

| Model     | Wire Size Rating | A  | B  | C  |
|-----------|------------------|----|----|----|
| MCGPG07C  | 3.5 mm - 6 mm    | 10 | 19 | 14 |
| MCGPG09C  | 4 mm - 8 mm      | 10 | 20 | 17 |
| MCGPG135C | 6 mm - 11 mm     | 10 | 22 | 22 |
| MCGPG21C  | 13 mm - 18mm     | 12 | 25 | 30 |